



## Aurora LED Helmet Mounted Blast Light by GritSablare

### TECHNICAL DETAILS

#### Section 1. Description

- The Aurora Helmet Mounted Blast Light by GritSablare utilizes an LED type lamp and is designed to be retrofitted to most blast helmets in the market today.
- The light is mounted to the helmet using a heavy industrial hook and loop strip with a deformable steel strap and bracket assembly. The light mounting is fully adjustable ensuring that the light is targeted where required by the operator.
- Supplied with a 3.7 Volt re-chargeable Lithium-Ion battery, the light will provide more than 20 hours of operation at 1300-1000Lx of illumination on a single charge and can be used with virtually any abrasive blasting application where there is poor ambient light.
- The LED lamp is virtually maintenance free and is safer as it generates no heat and provides much higher levels of illumination when compared with conventional type lamps.
- A replaceable glass lens is provided to protect the lamp from the blasting action and simple heavy duty bayonet type cable connectors are used to connect the cables.
- The unit comes with a battery pouch that fits to the operators' helmet air cooling/flow controller waist belt, allowing the battery to be easily inserted or removed from the pouch.
- Optional Battery Charges are available to suit various power supplies, the battery has a service life of up to 500 cycles.



## Section 2. Technical data

Stock Code	BAC-BA-0075-06
Rated Voltage	3.7 Volt
Nominal Capacity	6Ah
Lighting Time	>20H
LED Light Source	3.7 Volt 0.7/0.7A (Double Filament)
Maximum Illumination	Light Start - $\geq$ 1300Lx After 11h - $\geq$ 1000Lx
Li-ion Storage Battery Life	$\geq$ 500 cycles

## Section 3. Assembly

Code	Description	Weight
BAC-BA-0075-06	Aurora Helmet Blast Light Mount Kit	1.45kg (3.19lbs)

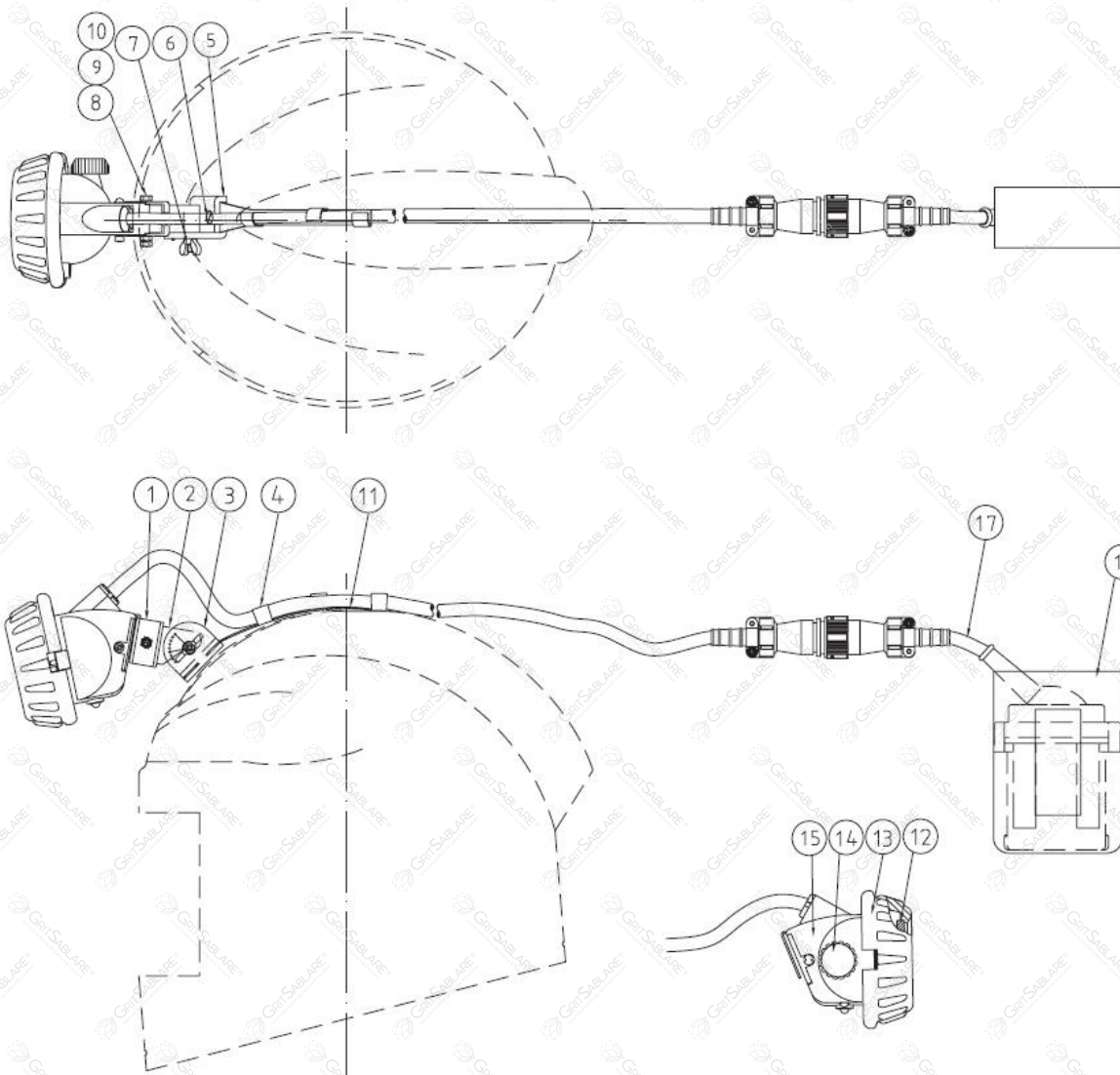
Requires one of the following chargers:

Code	Description
BAC-BA-0173-00	Aurora Battery Charger 240V AC (Australia Supply)
BAC-BA-PB-0115	Aurora Battery Charger 100 - 250V AC

## Section 4. Service Kit

Code	Description
BAC-BA-PB-0093	Aurora Blast Light Lens Kit - Includes item 12 (5 off)
BAC-BA-0215-00	Aurora Blast Light Helmet Fastener Kit - Item 11

## Section 5. Part list



Item	Code	Description	Quantity
1	YAC-BA-PB-0083	Holder	1
2	YAC-BA-PB-0076	Helmet Adjust Mount	1
3	YAC-BA-PB-0077	Helmet Holder Base	1
4	YAC-BA-PB-0078	Helmet Base	1
5	YAC-BA-PB-0092	Helmet Base Top Plate	1
6	YAC-FN-PB-0261	Flat Head Phillips Machine Screw M4 x 7mm LG	2
7	YAC-FN-PB-0262	Wing Nut M4	1
8	YAC-FN-PB-0255	Bolt Hex Head M4 x 30mm LG	1
9	YAC-FN-PB-0120	Nut M4	2
10	YAC-FN-PB-0121	Spring Washer 4mm	1
11	BAC-BA-0215-00	Helmet Fastener Kit	1
12	BAC-BA-PB-0059	Blast Light Glass Dia 51mm x 4.8mm THK	1
13	YAC-BA-PB-0086	Blast Light Glass Holder	1
14	YAC-BA-PB-0087	Switch Knob	1
15	BAC-BA-PB-0114	Aurora 3.7V LED Lamp Set Replacement Kit	1
16	BAC-BA-PB-0090	Battery Pouch	1
17	BAC-BA-PB-0109	Aurora 3.7V LED Lamp Battery Pack Kit	1



Tel: +4 0722 279 481  
+4 0725 984 004

Email: comercialgritsablare@gmail.com  
Web: www.gritsablare.ro

Sustainable Solutions for Blasting & Cleaning

Dedicated Line for Professional Blasting Equipment

## Section 6. Product Identification

---

Product name

Aurora LED Helmet Mounted Blast Light by GritSablare

Distributor:

**GritSablare**

Headquarter: 10 Eliza Zamfirescu Leonida Street, Bucharest

Storage & Logistic: Constanța Seaport, Gate 2, SORENA Platform, Constanța, Romania

Phone: (+4) 0722.279.481

Email: comercialgritsablare@gmail.com

Website: www.gritsablare.ro

---