



Aurora LED Hose Mounted Blast Light by GritSablare

TECHNICAL DETAILS

Section 1. Description

- The GritSablare Aurora Blast Light is an LED type lamp, which is designed to provide targeted lighting for abrasive blasting operators.
- Available with either a 3.7 Volt rechargeable Lithium-Ion battery for blast helmet mounting applications, (refer PSM 14-006) or a 12 Volt blast hose mounted system, the Aurora Blast Light can be used to assist with virtually any abrasive blasting application, where there is poor ambient lighting.
- The LED style lamp is virtually maintenance free, is safer as it generates no heat, and provides much higher levels of illumination when compared to other conventional type lamps.
- A replaceable glass lens is provided to protect the lamp itself from the blasting action, and simple bayonet type cable connectors are used to connect all the light components together.



Tel: +4 0722 279 481
+4 0725 984 004

Email: comercialgritsablare@gmail.com
Web: www.gritsablare.ro

Sustainable Solutions for Blasting & Cleaning

Dedicated Line for Professional Blasting Equipment

Section 2. Technical data

Stock Code	BAC-BA-0075-06	BAC-BA-PB-0082
Rated Voltage	3.7 Volt	12 Volt
Nominal Capacity	6Ah	N/A
Lighting Time	>20H	
LED Light Source	3.7 Volt 0.7/0.7A (Double Filament)	12 Volt 0.7/0.7A (Double Filament)
Maximum Illumination	Light Start - $\geq 1300\text{Lx}$ After 11h - $\geq 1000\text{Lx}$	
Li-ion Storage Battery Life	≥ 500 cycles	N/A

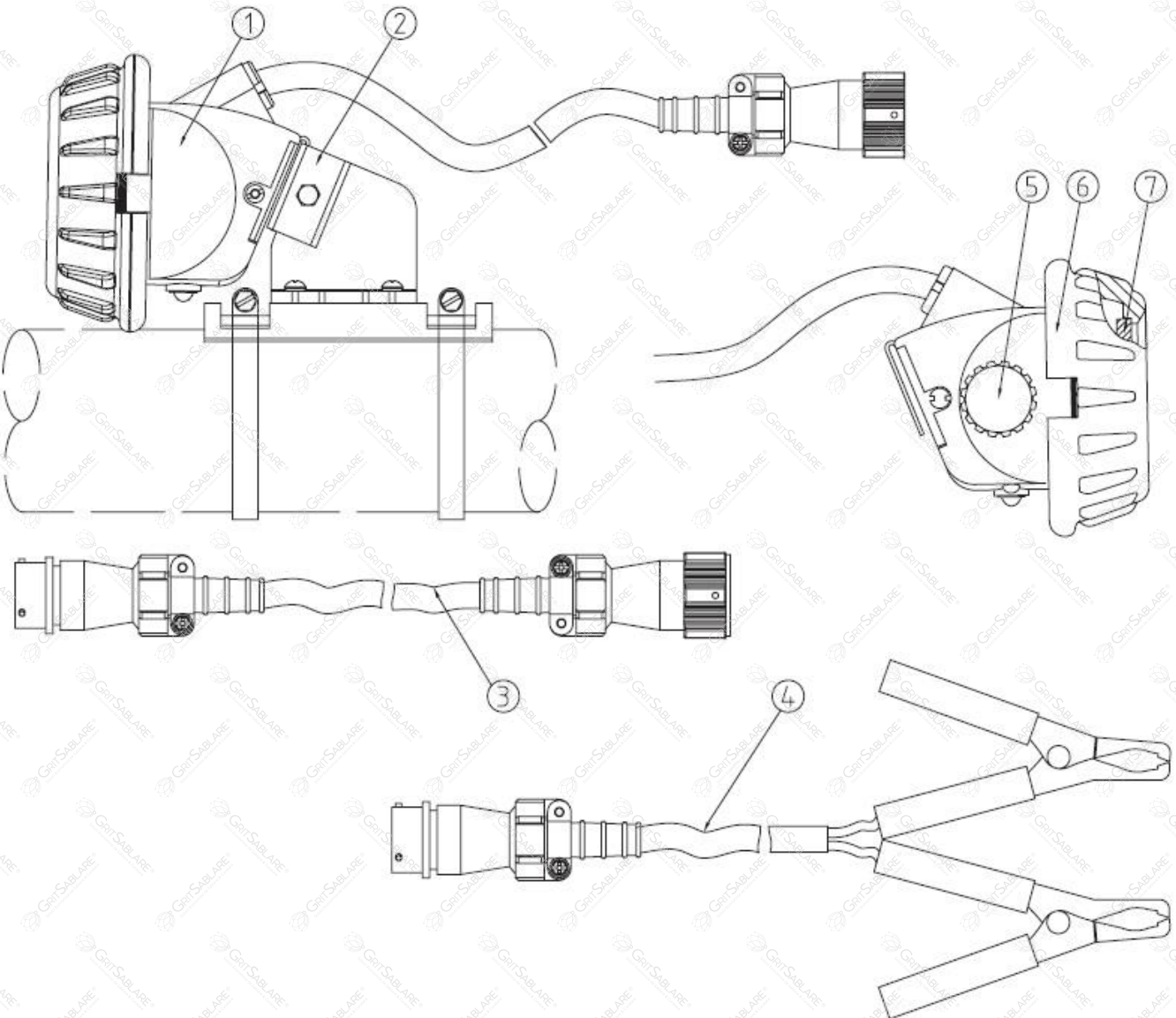
Section 3. Assembly

Code	Description
BAC-BA-PB-0082	Aurora Blast Light Hose Mount Kit
BAC-BA-PB-0129	Aurora Blast Mounting Assembly c/w 55ft Extension (Includes BAC-BA-PB-0105)
BAC-BA-PB-0130	Aurora Hose Mounting Assembly c/w 20m Extension (Includes BAC-BA-PB-0097)

Section 4. Service Kit

Code	Description
BAC-BA-PB-0093	Aurora Blast Light Lens Kit - Includes item 7 (5 off)
BAC-BA-PB-0096	Aurora 12 V Led Blast Light Set - Includes items 1, 4, 5, 6 & 7

Section 5. Part list



Item	Code	Description	Quantity
1	BAC-BA-PB-0113	12V LED Lamp Set Replacement Kit	1
2	YAC-BA-PB-0128	Aurora Hose Mounting Assembly	1
3	BAC-BA-PB-0105	55ft Extension Cable Kit	1
	BAC-BA-PB-0097	20m Extension Cable Kit	1
4	BAC-BA-PB-0112	12V LED Lamp Alligator Clips	1
5	YAC-BA-PB-0087	Light Switch Knob	1
6	YAC-BA-PB-0086	Light Glass Holder	1
7	BAC-BA-PB-0059	Blast Light Glass Dia 51mm x THK 4.8mm	1



Tel: +4 0722 279 481
+4 0725 984 004

Email: comercialgritsablare@gmail.com
Web: www.gritsablare.ro

Sustainable Solutions for Blasting & Cleaning

Dedicated Line for Professional Blasting Equipment

Section 6. Product Identification

Product name

Aurora LED Hose Mounted Blast Light by GritSablare

Distributor:

GritSablare

Headquarter: 10 Eliza Zamfirescu Leonida Street, Bucharest

Storage & Logistic: Constanța Seaport, Gate 2, SORENA Platform, Constanța, Romania

Phone: (+4) 0722.279.481

Email: comercialgritsablare@gmail.com

Website: www.gritsablare.ro
