



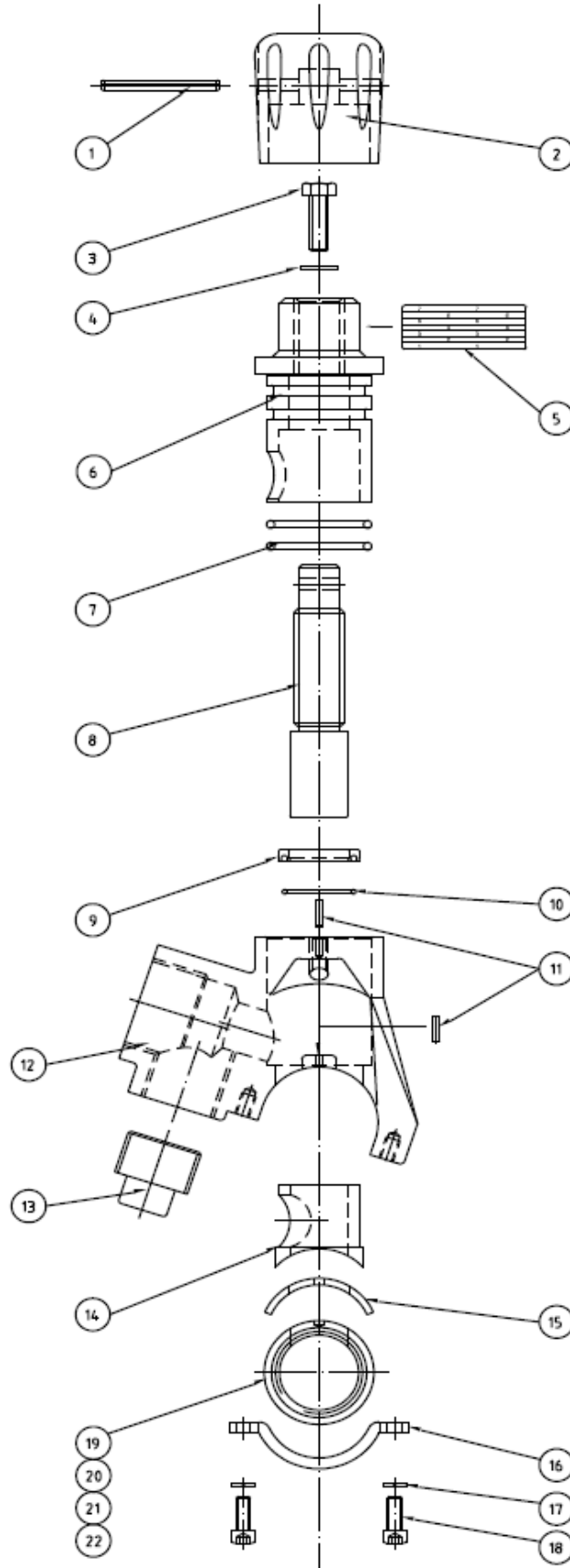
FINA II Manual Abrasive Metering Valves by GritSablare

TECHNICAL DETAILS

Section 1. Features & Benefits:

- Reinforced PA66 Nylon / Fiber control knob which eliminates any premature cracking and are impact resistant
- Simplified body arrangement allowing the entire control knob and plunger assembly to be removed as a one piece item for ease of serviceability, no need to remove the valve control knob for servicing
- Case hardened abrasive metering plunger
- Polyurethane precision casted abrasive sleeve and P/U casted plunger sleeves, allows for precise fitting
- Externally clamped case hardened pipe nipple, this greatly reduces premature internal wear occurring at the point where the traditional mounting bolts are screwed in to the pipe nipple.
- Case hardened pipe connection nipple to 57HRC providing a durable service life
- Large 25mm (1") abrasive drain out pot & plug assembly
- Graduation markings on the valve stem allow for precise setting of the abrasive flow by the blasting operator
- Valves are finished externally in Black DuPont powder coating system
- Available with multiple sized pipe nipples.

Section 2. Exploded View





Section 3. Product Identification

Product name

FINA II Manual Abrasive Metering Valves by GritSablare

Distributor:

GritSablare

Headquarter: 10 Eliza Zamfirescu Leonida Street, Bucharest

Storage & Logistic: Constanța Seaport, Gate 2, SORENA Platform, Constanța, Romania

Phone: (+4) 0722.279.481

Email: comercialgritsablare@gmail.com

Website: www.gritsablare.ro